



---

## DATA SHEET

---

# SELF-CLEANING MESH FILTER HYDRAULIC-200-H-INOX



## 1. General characteristics



IMAGE 1

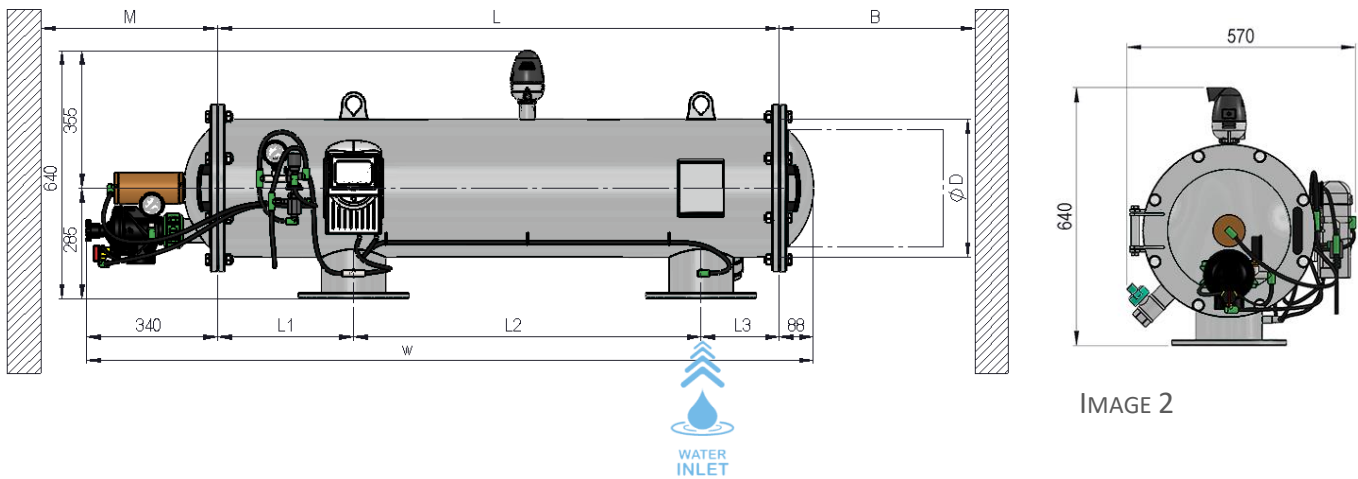
MODEL	Ø1/Ø0	Flow (m3/h)					Gross filtration surface (cm <sup>2</sup> )	Water Consumption per Wash (l)	Net Weight (kg)
		Max. Flow	<50ppm	50/100 ppm	100/200 ppm	Min. Flow			
HYDRAULIC-204-H-INOX	Flange 4"	205	93	76	57	9	5608	50	129
HYDRAULIC-206-H-INOX-Compact	Flange 6"	250	133	105	80	9	5608	50	132
HYDRAULIC-206-H-INOX	Flange 6"	275	163	123	92	20	8412	109	140
HYDRAULIC-208-H-INOX-Compact	Flange 8"	360	220	160	125	20	8412	109	143
HYDRAULIC-208-H-INOX	Flange 8"	415	253	194	142	33	11216	180	163
HYDRAULIC-210-H-INOX-Compact	Flange 10"	510	295	240	123	33	11216	180	167
HYDRAULIC-210-H-INOX	Flange 10"	585	323	273	195	43	14020	235	177
HYDRAULIC-212-H-INOX-Compact	Flange 12"	645	355	300	215	43	14020	235	181

TABLE 1

}
**Working pressure**  
 min. 2,5 kg/cm<sup>2</sup>  
 máx. 10 kg/cm<sup>2</sup>
}

### 1.1. Manufacturing technical characteristics:

- Materials:
  - Stainless steel metal components.
  - A2 stainless steel screws.
  - Mesh cartridge : Plastic structure with AISI-316 Stainless Steel. Filtration degree: 125 microns.
  - Grinding cartridge: AISI-304 Stainless Steel.
  - EPDM gaskets: 60 SHORE.
- Superficial treatment:
  - Surface shot blasting up to SA ½ grade.
- Working characteristics:
  - Maximum operating temperature 50°C.
- Commercial components:
  - 1" Suction Cup and 2" Flushing Valve.
  - Battery powered programmer.

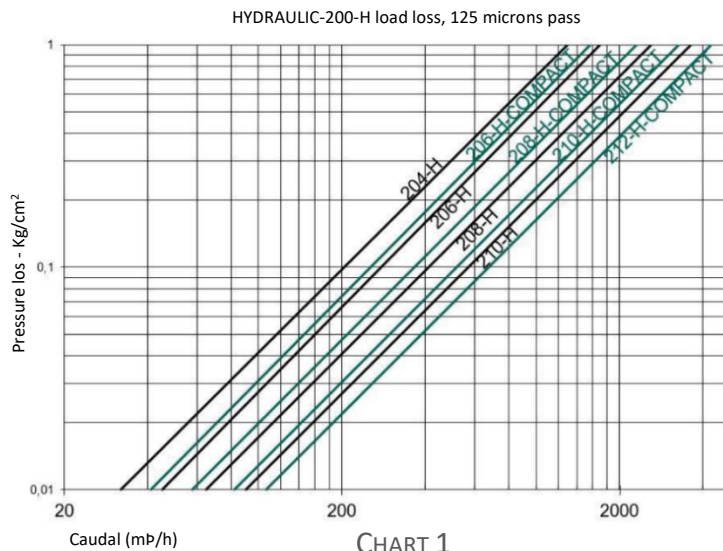
**1.2. Dimensions**


MODEL	Dimensions (mm)							
	ØD	L	L1	L2	L3	W	M	B
HYDRAULIC-204-H-INOX	355	1170	197	770	203	1580	400	1015
HYDRAULIC-206-H-INOX-Compact	355	1170	197	770	203	1580	400	1015
HYDRAULIC-206-H-INOX	355	1455	352	900	203	1865	400	1300
HYDRAULIC-208-H-INOX-Compact	355	1455	352	900	203	1865	400	1300
HYDRAULIC-208-H-INOX	355	1741	438	1100	203	2150	400	1585
HYDRAULIC-210-H-INOX-Compact	355	1741	438	1100	203	2150	400	1585
HYDRAULIC-210-H-INOX	355	2027	446	1370	211	2435	400	1870
HYDRAULIC-212-H-INOX-Compact	355	2027	446	1370	211	2435	400	1870

TABLE 2

MODEL	General Data			
	Nozzle Units	ØAuto Flushing Valve	ØManual Exhaust Valve	Wash Time
HYDRAULIC-204-H-INOX	4	2"	1-½"	30
HYDRAULIC-206-H-INOX-Compact	4	2"	1-½"	30
HYDRAULIC-206-H-INOX	6	2"	1-½"	30
HYDRAULIC-208-H-INOX-Compact	6	2"	1-½"	30
HYDRAULIC-208-H-INOX	8	2"	1-½"	30
HYDRAULIC-210-H-INOX-Compact	8	2"	1-½"	30
HYDRAULIC-210-H-INOX	10	2"	1-½"	30
HYDRAULIC-212-H-INOX-Compact	10	2"	1-½"	30

TABLE 3



1.3. Hydraulic Circuit

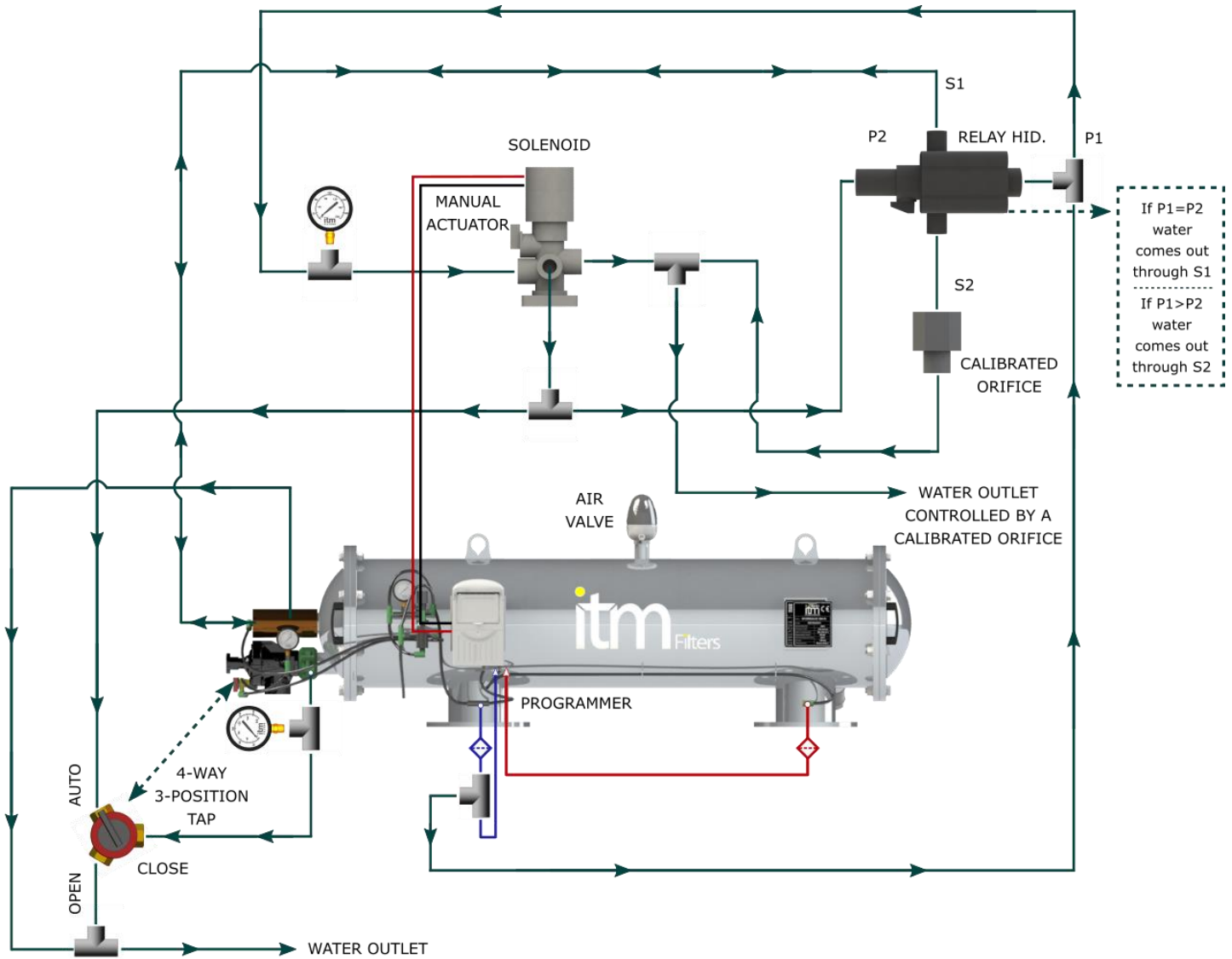


IMAGE 3

- \* Where P1 is the water inlet pressure and P2 is the water outlet pressure.
- \* The 4-way tap has 3 positions:
  - *AUTO* : filter operation with automatic cleaning.
  - *OPEN* : cleaning cycle
  - *CLOSE* : filter operation (without automatic cleaning)



Water Solutions



**INTRAMESA MZ S.A.**



**Polígono Armentera P-99**

**22400 Monzón (Huesca)**

**[www.itmfilters.com](http://www.itmfilters.com)**

**[info@itmfilters.com](mailto:info@itmfilters.com)**

**Tel. 974 10 50 05**