



DATA SHEET

SELF-CLEANING MESH FILTER ELECTRIC-400-H-INOX



1. Data sheet

Working pressure
min. 2 kg/cm²
máx. 10 kg/cm²



IMAGE 1

MODEL	ØI/ØO	Flow (m3/h)				Filtration Surface (cm ²)	Water Consumption per Wash (l)	Net Weight (kg)
		Máx. Flow	<50ppm	50/100 ppm	100/200 ppm			
ELECTRIC-404-H-INOX	Flange 4"	205	93	76	57	5608	40	139
ELECTRIC-406-H-INOX -COMPACT	Flange 6"	250	133	105	80	5608	40	142
ELECTRIC-406-H-INOX	Flange 6"	275	163	123	92	8412	95	150
ELECTRIC-408-H-INOX -COMPACT	Flange 8"	360	220	160	125	8412	95	153
ELECTRIC-408-H-INOX	Flange 8"	415	253	194	142	11216	155	173
ELECTRIC-410-H-INOX -COMPACT	Flange 10"	510	295	240	123	11216	155	177
ELECTRIC-410-H-INOX	Flange 10"	585	323	273	195	14020	195	187
ELECTRIC-412-H-INOX -COMPACT	Flange 12"	645	355	300	215	14020	195	191

TABLE 1

1.1. Manufacturing technical characteristics:

- Materials:
 - Stainless steel metal components.
 - A2 stainless steel screws.
 - Mesh cartridge: Injected plastic structure with AISI-316 Stainless Steel. Filtration degree: 125 microns.
 - Grinding cartridge: AISI-304 Stainless Steel.
 - EPDM gaskets: 60 SHORE.
- Superficial treatment:
 - Surface shot blasting up to SA ½ grade.
- Working characteristics:
 - Maximum operating temperature 50°C.
- Commercial components:
 - 1" Suction Cup and 2" Flushing Valve.
 - Electrical box powered with single phase current 230V 50Hz. *Consult other options.

1.2. Dimensions

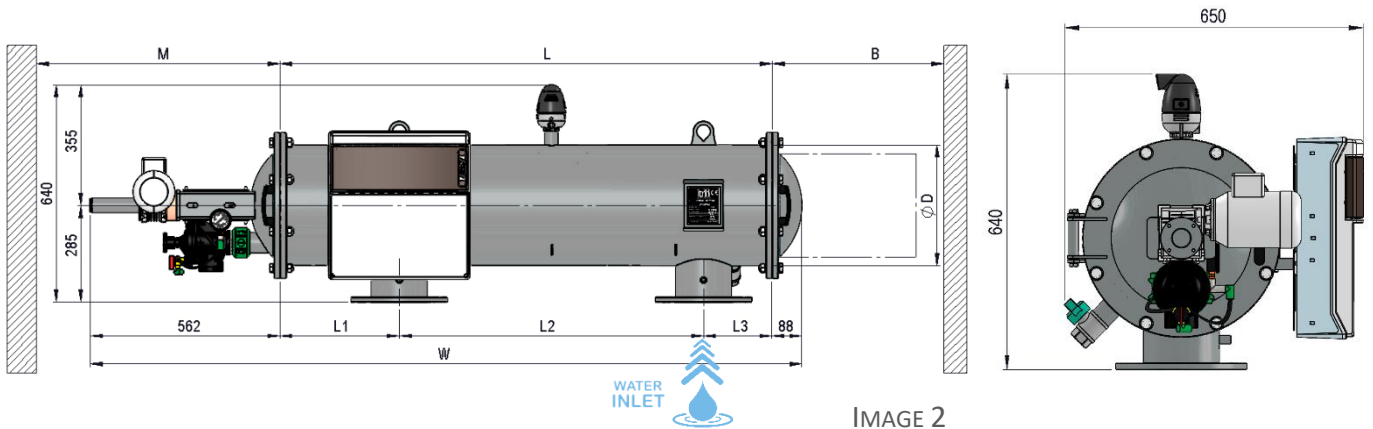


IMAGE 2

MODEL	Dimensions (mm)							
	ØD	L	L1	L2	L3	W	M	B
ELECTRIC-404-H-INOX	355	1170	197	770	203	1580	650	1015
ELECTRIC-406-H-INOX -COMPACT	355	1170	197	770	203	1580	650	1015
ELECTRIC-406-H-INOX	355	1455	352	900	203	1865	650	1300
ELECTRIC-408-H-INOX -COMPACT	355	1455	352	900	203	1865	650	1300
ELECTRIC-408-H-INOX	355	1741	438	1100	203	2150	650	1585
ELECTRIC-410-H-INOX -COMPACT	355	1741	438	1100	203	2150	650	1585
ELECTRIC-410-H-INOX	355	2027	446	1370	211	2435	650	1870
ELECTRIC-412-H-INOX -COMPACT	355	2027	446	1370	211	2435	650	1870

TABLE 2

MODEL	General Data					
	Minimum Pressure (Bar)	Nozzle Units	ØAuto Flushing Valve	ØManual Exhaust Valve	Washing Time (s)	Motor Power (kW)
ELECTRIC-404-H-INOX	2	4	2"	1-1/2"	20	0,18
ELECTRIC-406-H-INOX -COMPACT	2	4	2"	1-1/2"	20	0,18
ELECTRIC-406-H-INOX	2	6	2"	1-1/2"	20	0,18
ELECTRIC-408-H-INOX -COMPACT	2	6	2"	1-1/2"	20	0,18
ELECTRIC-408-H-INOX	2	8	2"	1-1/2"	20	0,18
ELECTRIC-410-H-INOX -COMPACT	2	8	2"	1-1/2"	20	0,18
ELECTRIC-410-H-INOX	2	10	2"	1-1/2"	20	0,18
ELECTRIC-412-H-INOX -COMPACT	2	10	2"	1-1/2"	20	0,18

TABLE 3

ELECTRIC-400-H load loss, 125 microns pass

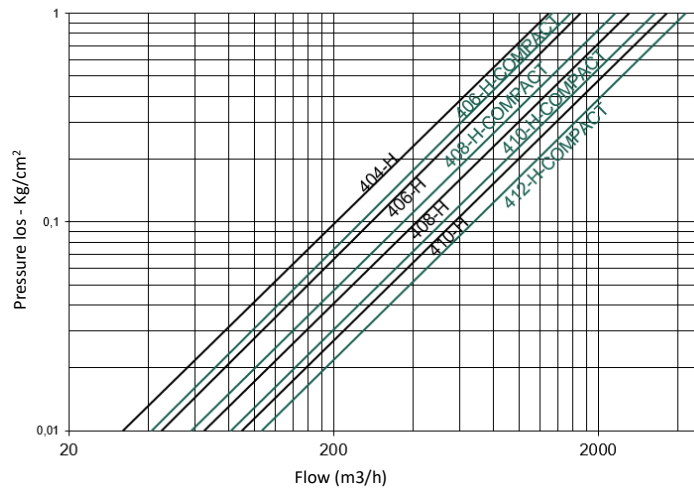


CHART 1

1.3. Hydraulic & Electric circuit – ELECTRIC-400-H-INOX

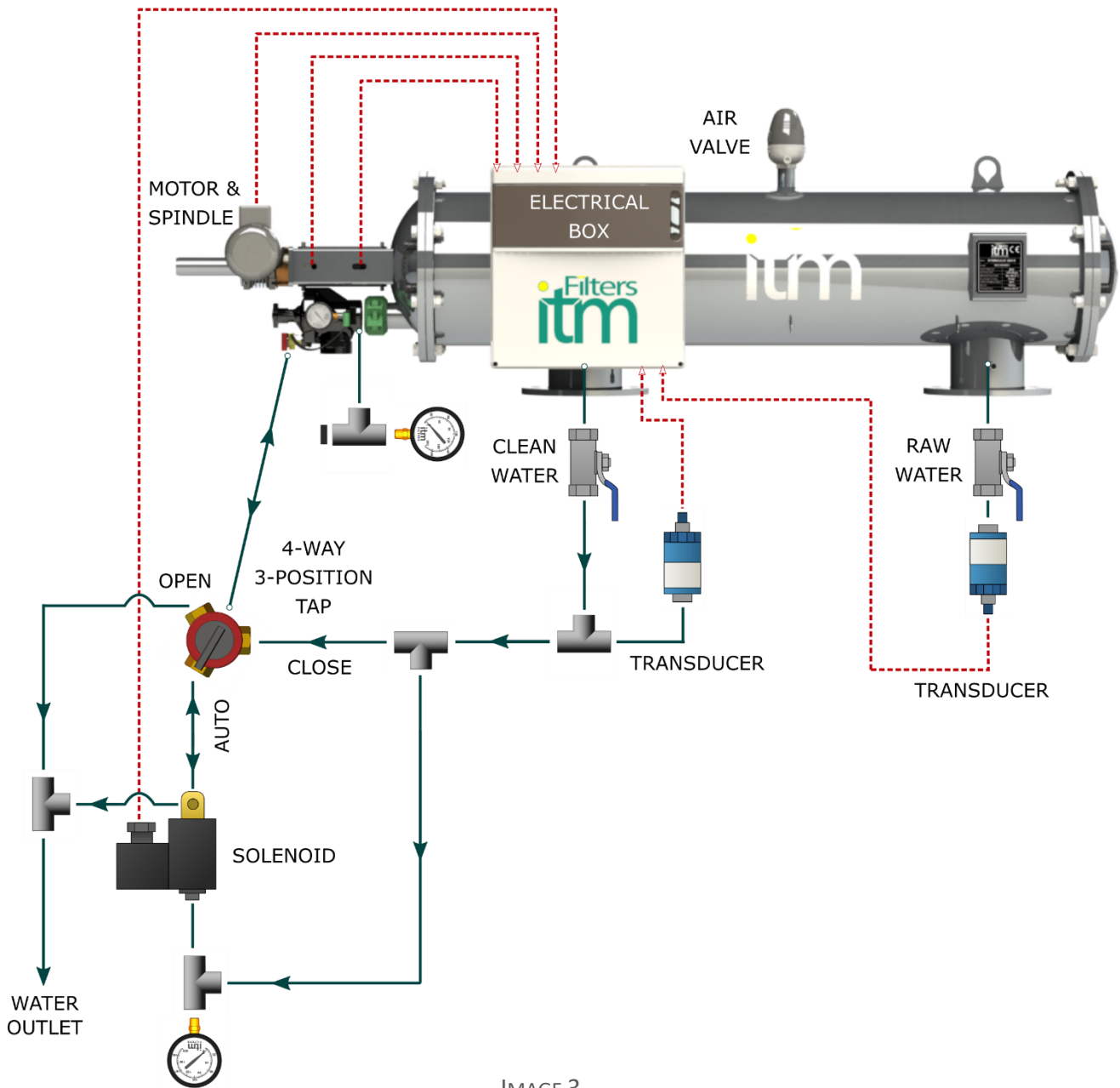


IMAGE 3

* Dashed lines represent an electrical signal: - - - - -
 Continuous lines represent an hydraulic signal: —————

- * The 4-way tap has 3 positions:
- *AUTO* : filter operation with automatic cleaning.
 - *OPEN* : cleaning cycle.
 - *CLOSE* : filter operation (without automatic cleaning)



Water Solutions



INTRAMESA MZ S.A.

**Polígono Armentera P-99
22400 Monzón (Huesca)**

www.itmfilters.com

info@itmfilters.com

Tel. 974 10 50 05