



---

DATA SHEET

---

SAND FILTERS  
ARM SAND FILTER (FBR)



[www.itmfilters.com](http://www.itmfilters.com)

## 1. FBR DATA SHEET

### 1.1 Arm Sand Filter



Working pressure  
máx. 8 kg/cm<sup>2</sup>

IMAGE 1

MODEL	ØI	ØO	Flows (m <sup>3</sup> /h)				Filtration Surface (cm <sup>2</sup> )	Net Weight (kg)	Sand (kg)
			Qmax	< 50ppm	50/100ppm	100/200ppm			
FBR-500 (1-½" - H/H)	Female Thread 1-½"	Female Thread 1-½"	16	8	5	3,5	1963	43	100
FBR-600 (1-1/2" - H/H)	Female Thread 1-½"	Female Thread 1-½"	19	10	6	4	2827	57	150
FBR-700 (2" - V/H)	Victaulic 2"	Female Thread 2"	26	13	8	5,5	3848	61	225
FBR-800 (2" - V/H)	Victaulic 2"	Female Thread 2"	33	18	11	7	5027	83	325
FBR-900 (3" - V/B)	Victaulic 3"	Flange 3"	42	23	14	9	6362	112	425
FBR-950 (3" - V/B)	Victaulic 3"	Flange 3"	46	26	16	11	7088	126	500
FBR-1200 (4" - V/B)	Victaulic 4"	Flange 4"	76	36	20	15	11310	176	800

TABLE 1

#### Manufacturing technical characteristics:

- Materials:
  - Carbon steel metal components.
  - Zinc plated screws 6.8.
  - EPDM gaskets: 60 SHORE.
- Superficial treatment:
  - Surface shot blasting up to SA ½ grade.
  - Two-layer EPOXY-POLYESTER powder paint finish, oven-polymerized RAL 6004.
- Working characteristics:
  - Maximum operating temperature 50°C.

## 1.2 Dimensions FBR

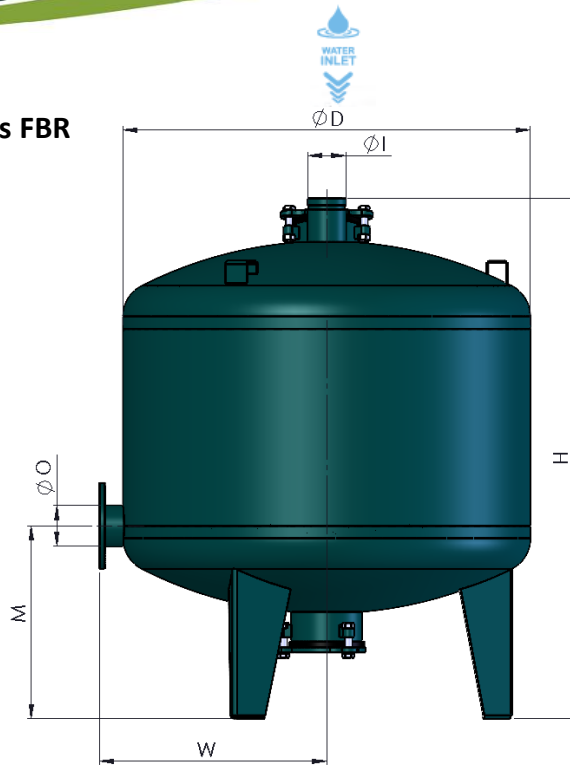


IMAGE 2

MODEL	Dimensions (mm)			
	ØD	H	M	W
FBR-500 (1-½" - H/H)	500	900	350	286
FBR-600 (1-½" - H/H)	600	900	350	380
FBR-700 (2" - V/H)	700	940	350	396
FBR-800 (2" - V/H)	800	1100	450	480
FBR-900 (3" - V/B)	900	1215	450	510
FBR-950 (3" - V/B)	950	1215	450	530
FBR-1200 (4" - V/B)	1200	1215	450	665

TABLE 2

FBR load loss

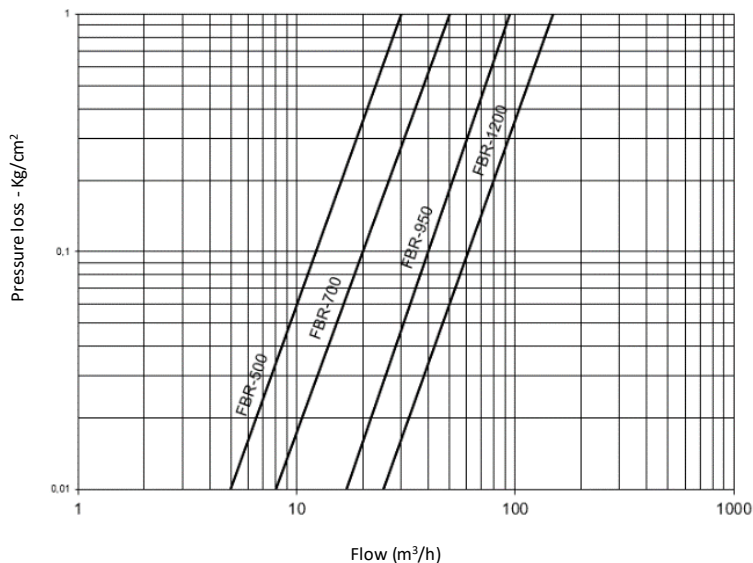


CHART 1



Water Solutions



**INTRAMESA MZ S.A.**



**Polígono Armentera P-99**

**22400 Monzón (Huesca)**

**[www.itmfilters.com](http://www.itmfilters.com)**

**[info@itmfilters.com](mailto:info@itmfilters.com)**

**Tel. 974 10 50 05**