



---

## USER MANUAL

---

# SCREEN FILTER FOR IRRIGATION APPLICATIONS

## T PATTERN STRAINER (FCT)

Serial number: \_\_\_\_\_

Purchase date: \_\_\_\_\_



INDEX

1.	Introduction .....	1
1.1	Filter identification .....	1
1.2	Basic concepts .....	1
2.	Data sheet .....	2
2.1	T Pattern Strainer (FCT) .....	2
2.2	Manufacturing technical characteristics .....	3
3.	Installation.....	4
4.	Operation and maintenance .....	4
5.	Spare parts .....	5
5.1	Exploded view – T Pattern Strainer (FCT).....	5
6.	Product warranty .....	6

## 1. INTRODUCTION

First of all, we want to thank you for purchasing this filter, the result of the work of a group of people committed to offering the correct solution to each filtration process. All products designed and manufactured by ITM Filters meet self-imposed requirements for quality, efficiency and durability. This philosophy is accredited through certification by external bodies.

The highest efficiency of the system is obtained with correct operation and maintenance, please properly follow the indications in this manual throughout the life of the product. We invite you to visit our website: [www.itmfilters.com](http://www.itmfilters.com) for more information about our products and our company policies.

### 1.1 Filter identification

The filter is identified with the following decal:

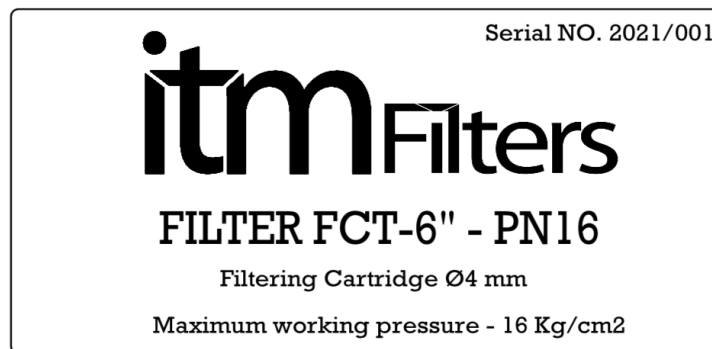


IMAGE 1

### 1.2 Basic concepts

#### Filtration surface:

Area that allows water to pass while retaining suspended particles.

#### Loss of pressure (HEAD LOSS):

It is the difference in load produced between two points of the same flow. The friction of the water with the filter medium produces a loss of energy. The diluted substances are trapped in the mesh generating a decrease in the porosity of the filter medium, which causes an increase in the pressure drop. The pressure drop measurement is carried out by means of a pressure tap on the inlet manifold and another one on the outlet manifold.

## 2. DATA SHEET

### 2.1 T Pattern Strainer (FCT)

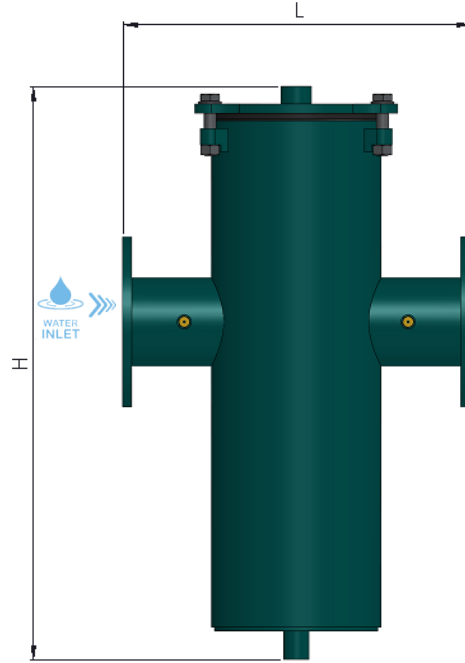


IMAGE 2

*Stainless steel filter  
cartridge Ø4mm  
pitch*

MODEL	ØI/ØO	Filtration surface (cm <sup>2</sup> )	Net weight (kg)	Dimensions (mm)		
				L	H	ØD
FCT-2"	Male thread 2"	1500	15	340	460	165
FCT-3"	Flange 3"	2006	24	380	585	165
FCT-4"	Flange 4"	3160	36	450	745	220
FCT-6"	Flange 6"	5579	66	550	990	323
FCT-8"	Flange 8"	11040	118	600	1100	323
FCT-10"	Flange 10"	13700	152	640	1385	323

TABLE 1



IMAGE 3

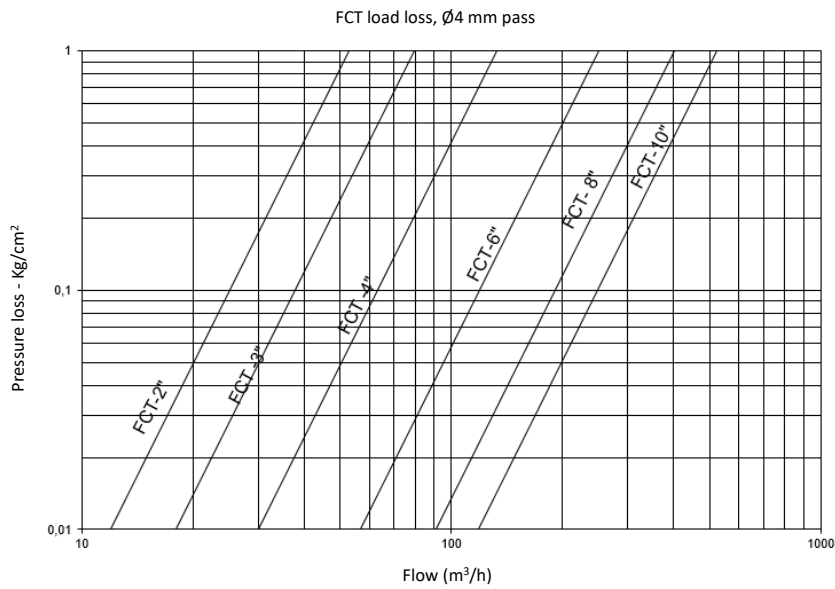


CHART 1

## 2.2 Manufacturing technical characteristics

- Materials:
  - Carbon steel metal components.
  - Zinc plated screws 6.8.
  - Grinding cartridge : Stainless Steel AISI-304.  $\varnothing 4$  mm pass
  - EPDM gaskets: 60 SHORE.
- Superficial treatment:
  - Surface shot blasting up to SA ½ grade.
  - Two-layer EPOXY-POLYESTER powder paint finish, oven-polymerized RAL 6004.
- Working characteristics:
  - Maximum operating temperature 50°C.

### 3. INSTALLATION

1. Make sure the filter flow direction is correct.
2. Position the inlet and outlet manifolds, fixing the flanges with their corresponding gaskets.
3. Set the pressure gauges, one on the inlet manifold and the other on the water outlet manifold.
4. Carry out a first manual cleaning of the filter mesh.
5. Check that the unions are tight, turn on the water supply and verify that there is no leak.
6. Filtering, open the passage of water at the corresponding working pressure according to the model.
7. Clean the filter when the pressure gauges indicate a pressure difference equal to or greater than  $0,5 \text{ kg/cm}^2$ .
8. Cleaning, disconnect the water flow and open the filter by loosening the screws. Remove the cover and remove the filter, clean it by applying high pressure water to its outer surface and use a bristle brush on the inside if necessary. Replace and close the filter ensuring that the cap fits tightly.

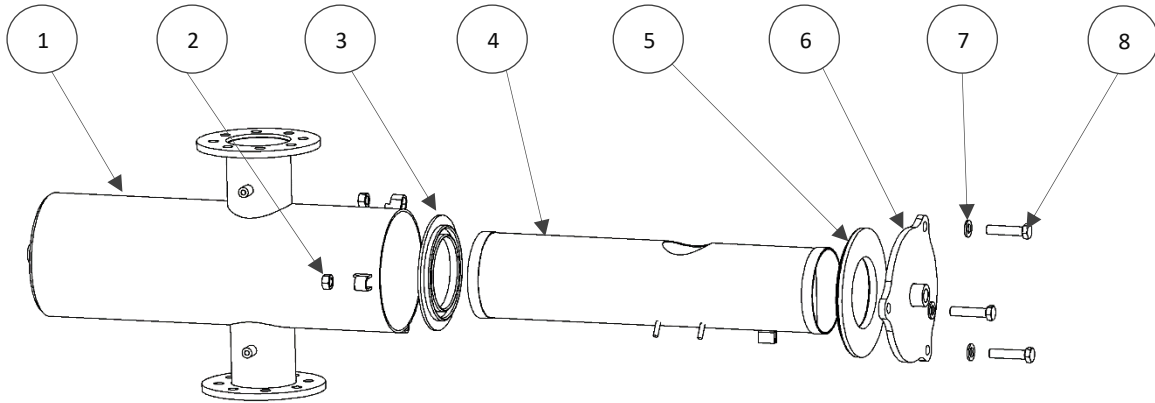
### 4. OPERATION AND MAINTENANCE

The Manual Screen Strainers filter through a cartridge that physically separates the water from the stones or large elements that are in it. When the mesh filter becomes clogged, it produces a pressure difference between the water inlet and outlet. The manual cleaning cycle is necessary when reaching a pressure difference of  $0,5 \text{ kg/cm}^2$ . The water passes from the internal area of the filter to the external one causing the accumulation of dirt in the internal part of the mesh.

Maintenance necessary for proper operation: review of joints and repainting.

## 5. SPARE PARTS

### 5.1 Exploded view – T Pattern Strainer (FCT)



Nº	DENOMINATION	FCT MODELS					
		FCT-2		FCT-3		FCT-4	
		U.	Code	U.	Code	U.	Code
1	Body	1	FCT-2-02	1	FCT-3-02	1	FCT-4-02
2	Hex nut. M16	3	DIN934	3	DIN934	3	DIN934
3	Lower gasket	1	FY-2-08	1	FY-2-08	1	FY-4-220-08
4	Cartridge	1	FCT-2-03	1	FCT-3-03	1	FCT-4-03
5	Upper gasket	1	FY-2-09	1	FY-2-09	1	FY-4-220-09
6	Cap	1	FCL-2-05-00	1	FCL-2-05-00	1	FY-4-220-05
7	Flat Washer D16	3	DIN125	3	DIN125	3	DIN125
8	Hex Screws M16	3	DIN933	3	DIN933	3	DIN933

Nº	DENOMINATION	FCT MODELS					
		FCT-6		FCT-8		FCT-10	
		U.	Code	U.	Code	U.	Code
1	Body	1	FCT-6-02	1	FCT-8-02	1	FCT-10-02
2	Hex nut. M16	6	DIN934	6	DIN934	6	DIN934
3	Lower gasket	1	FY-6-08	1	FY-6-08	1	FY-6-08
4	Cartridge	1	FCT-6-03	1	FCT-8-03	1	FCT-10-03
5	Upper gasket	1	FY-6-09	1	FY-6-09	1	FY-6-09
6	Cap	1	FY-6-05	1	FY-6-05	1	FY-6-05
7	Flat Washer D16	6	DIN125	6	DIN125	6	DIN125
8	Hex Screws M16	6	DIN933	6	DIN933	6	DIN933

## 6. PRODUCT WARRANTY

1. All ITM FILTERS products are guaranteed for 1 year from the date of invoice.
2. The replacement of defective parts is covered by the warranty, being necessary to indicate the serial number and allow the verification by our staff.
3. Take into account the user manual for the installation of the product and check the operating parameters in the technical tables.
4. To obtain a correct filtration, the size of the filter element must be smaller than that of the substances suspended in the water to be filtered.
5. This warranty will not apply in the event of damage or defects produced in the product as a result of or related to:
  - i. Tearing, elimination or manipulation of the identifying label of the product.
  - ii. Improper or unauthorized use of the product by the buyer.
  - iii. An improper assembly or installation that does not correspond to that established by ITM FILTERS.
  - iv. The pertinent periodic cleanings.
  - v. The use of water that does not meet the established quality or is outside the specifications indicated in the technical tables.
  - vi. A use of flow discordant with the water quality according to the parameters defined in the technical tables.
  - vii. Pressures that differ from the established working pressure.
  - viii. The wear of materials caused by fatigue, abrasion or high temperatures.
  - ix. Any external alteration, modification or repair of the products, except by ITM FILTERS and its technical representatives.
  - x. Damages produced during the transport of the product.
  - xi. Third party damage, theft or vandalism.
6. At ITM FILTERS we are committed to quality, which is why we have the ISO 9001, ISO 14001 and ISO 45001 certifications. In addition, during the manufacture of our filters we have established our own quality control in which we ensure that the product meets all quality requirements optimally. If you notice any defects, please contact your dealer.
7. For any claim, it is essential to present this document, the serial code of the corresponding product and the purchase invoice.





Water Solutions



**INTRAMESA MZ S.A.**



**Polígono Armentera P-99**

**22400 Monzón (Huesca)**

**[www.itmfilters.com](http://www.itmfilters.com)**

**[info@itmfilters.com](mailto:info@itmfilters.com)**

**Tel. 974 10 50 05**