

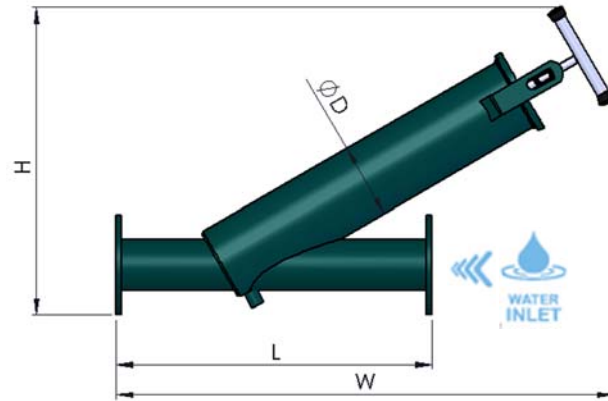


DATA SHEET

METALIC MANUAL FILTER FY/FL DISCS



1. FY/FL Discs

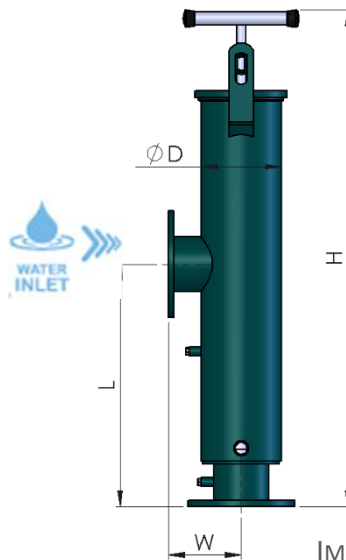


Working pressure
máx. 10 kg/cm²

IMAGE 1

MODELO	ØI/ØO	Flow (m ³ /h) Disc Cartridge (Drip)	Filtration Surface (cm ²)	Net Weight (kg)	Filter Opening	Dimensions (mm)			
						ØD	L	H	W
FY-DISCS-2"-M	Male Thread 2"	21	1500	12	Palomilla	165	450	470	613
FY-DISCS-3"-M	Flange 3"	42	2006	21	Palomilla	165	495	542	757
FY-DISCS-4"-165-M	Flange 4"	83	3007	25	Palomilla	165	695	678	1096

TABLE 1



Working pressure
máx. 10 kg/cm²

IMAGE 2

MODELO	ØI/ØO	Flow (m ³ /h) Disc Cartridge (Drip)	Filtration Surface (cm ²)	Net Weight (kg)	Filter Opening	Dimensions (mm)			
						ØD	L	H	W
FL-DISCS-2"-M	Male Thread 2"	21	1500	12	Palomilla	165	350	605	140
FL-DISCS-3"-M	Flange 3"	42	2006	20	Palomilla	165	365	746	145
FL-DISCS-4"-165-M	Flange 4"	83	3007	24	Palomilla	165	500	1025	150

TABLE 2

*Ask about other pressures

2. Manufacturing technical characteristics

- Materials:
 - Carbon steel metal components.
 - Zinc plated screws 6.8.
 - Mesh cartridge : PVC structure with AISI-316 Stainless Steel. Filtration degree: 125 microns.
 - EPDM gaskets: 60 SHORE.

- Superficial treatment:
 - Surface shot blasting up to SA ½ grade.
 - Two-layer EPOXY-POLYESTER powder paint finish, oven-polymerized RAL 6004.

- Working characteristics:
 - Maximum operating temperature 50°C.



Water Solutions



INTRAMESA MZ S.A.



Polígono Armentera P-99

22400 Monzón (Huesca)

www.itmfilters.com

info@itmfilters.com

Tel. 974 10 50 05