



DATA SHEET

HYDRANT PROTECTION FILTERS FC SELF DETACHABLE (FCAD)



1. FC SELF DETACHABLE (FCAD)

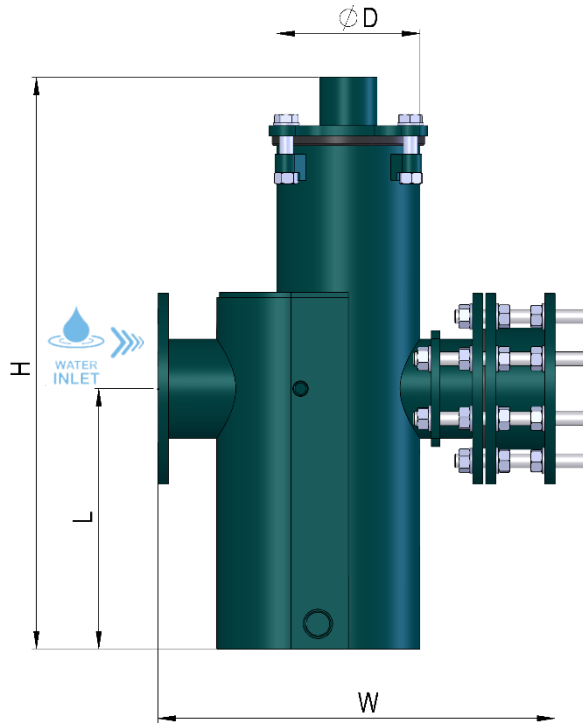


IMAGE 1

*Stainless steel filter
cartridge $\varnothing 4\text{mm}$
pitch*

MODEL	$\varnothing I / \varnothing O$	Filtration Surface (cm ²)	Net Weight (kg)	Dimensions (mm)			
				$\varnothing D$	L	H	W
FC-AD-2"	Male Thread 2"	1500	21	165	200	656	400
FC-AD-3"	Flange 3"	1800	29	165	200	730	400
FC-AD-4"	Flange 4"	2010	42	165	240	780	457
FC-AD-6"	Flange 6"	2435	60	220	360	840	580
FC-AD-8"	Flange 8"	3200	110	323	400	1170	700
FC-AD-10"	Flange 10"	3800	148	323	400	1220	700

TABLE 1



IMAGE 2

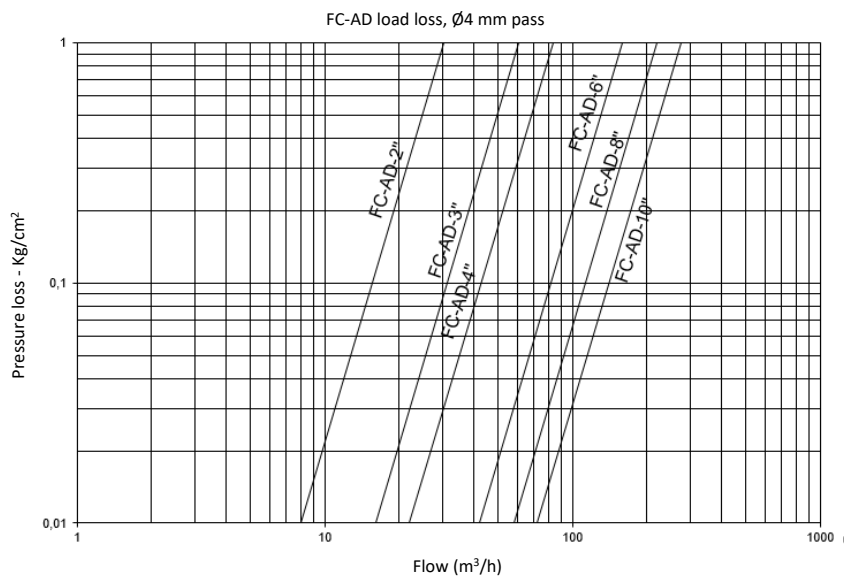


CHART 1

2. MANUFACTURING TECHNICAL CHARACTERISTICS

- Materials:
 - Carbon steel metal components.
 - Zinc plated screws 6.8.
 - Grinding cartridge : Stainless Steel AISI-304. $\varnothing 4$ mm pass
 - EPDM gaskets: 60 SHORE.
- Superficial treatment:
 - Surface shot blasting up to SA $\frac{1}{2}$ grade.
 - Two-layer EPOXY-POLYESTER powder paint finish, oven-polymerized RAL 6004.
- Working characteristics:
 - Maximum operating temperature 50°C.



Water Solutions



INTRAMESA MZ S.A.



Polígono Armentera P-99

22400 Monzón (Huesca)

www.itmfilters.com

info@itmfilters.com

Tel. 974 10 50 05