

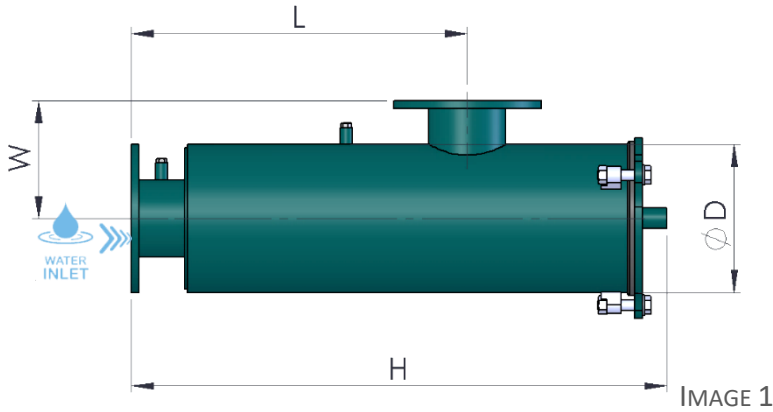


DATA SHEET

METALIC MANUAL FILTER FL CENTER-PIVOT (FL-PPM)



1. L FILTER – METALLIC PIVOT FOOT (FL-PPM)



Working pressure
máx. 10 kg/cm²

MODEL	Ø1/Ø0	Flow (m ³ /h)	Filtration Surface (cm ²)	Net Weight (kg)	Filter opening	Dimensions (mm)			
		Ø2 mm Cartridge (Sprinkler)				ØD	L	H	W
FL-PPM-6"	Flange 6"	285	8550	94	Flange	323	1415	1690	265
FL-PPM-8"	Flange 8"	340	11350	112	Flange	323	1640	1940	265
FL-PPM-10"	Flange 10"	515	15630	176	Flange	406	1610	1934	300
FL-PPM-12"	Flange 12"	605	18000	199	Flange	406	1800	2257	300

TABLE 1

*Ask about other pressures

2. MANUFACTURING TECHNICAL CHARACTERISTICS

- Materials:
 - Carbon steel metal components.
 - Zinc plated screws 6.8.
 - Grinding cartridge: AISI-304 Stainless Steel. Ø2 mm pass.
 - EPDM gaskets: 60 SHORE.
- Superficial treatment:
 - Surface shot blasting up to SA ½ grade.
 - Two-layer EPOXY-POLYESTER powder paint finish, oven-polymerized RAL 6004.
- Working characteristics:
 - Maximum operating temperature 50°C.



Water Solutions



INTRAMESA MZ S.A.



Polígono Armentera P-99

22400 Monzón (Huesca)

www.itmfilters.com

info@itmfilters.com

Tel. 974 10 50 05