



DATA SHEET

METALLIC MANUAL FILTER L FILTER (FL-M)



1. METALLIC L FILTER (FL-M)

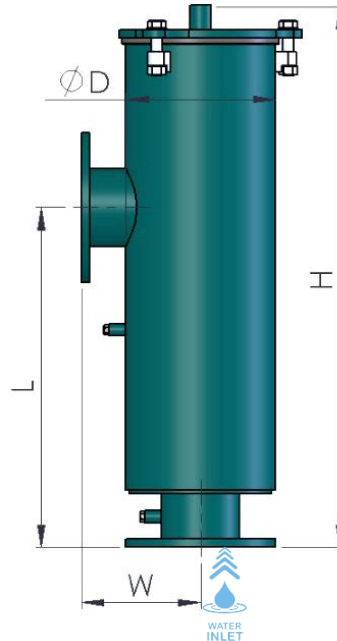
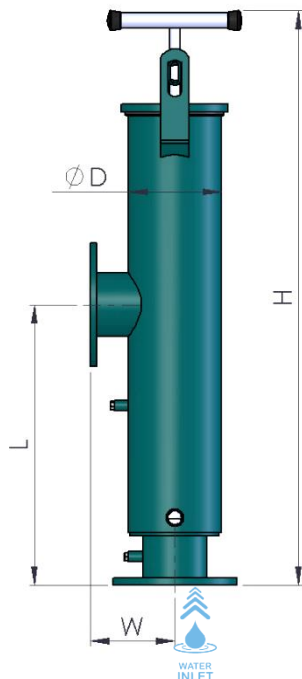


IMAGE 1

FL-M load loss, 125 microns pass

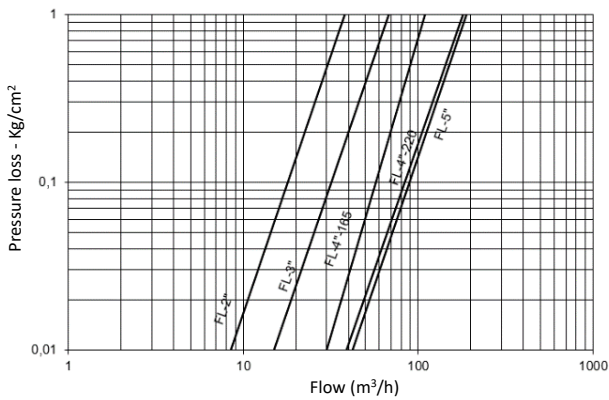


CHART 1

FL-M load loss Ø2 mm pass

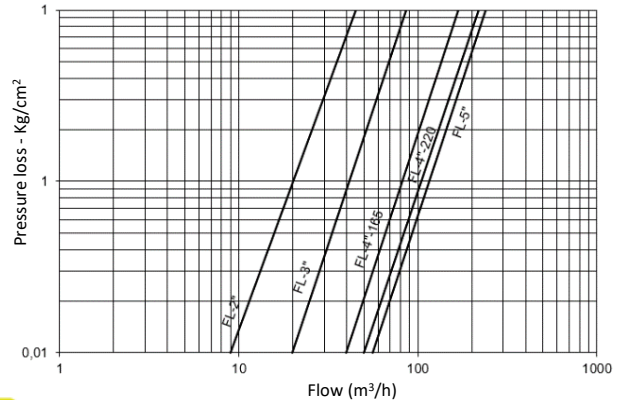


CHART 2

Working pressure
máx. 10 kg/cm²

MODEL	Ø1/Ø0	Flows (m ³ /h)		Filtration Surface (cm ²)	Net Weight (kg)	Filter opening	Dimensions (mm)			
		Mesh Cartridge (Drip)	Ø2 mm Cartridge (Sprinkler)				ØD	L	H	W
FL-2"-M	Male Thread 2"	21	26	1500	12	Wing Nut	165	350	605	140
FL-3"-M	Flange 3"	42	51	2006	20	Wing Nut	165	365	746	145
FL-4"-165-M	Flange 4"	83	97	3007	24	Wing Nut	165	500	1025	150
FL-4"-220-M	Flange 4"	104	121	3160	33	Screws	220	500	797	175
FL-5"-M	Flange 5"	128	155	3160	36	Screws	220	500	797	175
FL-6"-M	Flange 6"	152	185	5579	63	Screws	323	840	1086	265

TABLE 1

*Ask about other pressures

2. MANUFACTURING TECHNICAL CHARACTERISTICS

- Materials:
 - Carbon steel metal components.
 - Zinc plated screws 6.8.
 - Mesh cartridge : PVC structure with AISI-316 Stainless Steel. Filtration degree: 125 microns.
 - Grinding cartridge: AISI-304 Stainless Steel. Ø2 mm pass.
 - EPDM gaskets: 60 SHORE.

- Superficial treatment:
 - Surface shot blasting up to SA ½ grade.
 - Two-layer EPOXY-POLYESTER powder paint finish, oven-polymerized RAL 6004.

- Working characteristics:
 - Maximum operating temperature 50°C.

Filters
itm
Water Solutions



INTRAMESA MZ S.A.



**Polígono Armentera P-99
22400 Monzón (Huesca)**

www.itmfilters.com

info@itmfilters.com

Tel. 974 10 50 05