



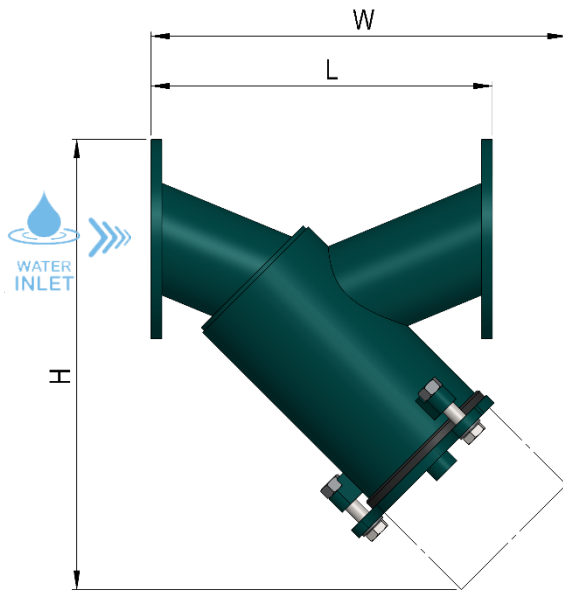
DATA SHEET

HYDRANT PROTECTION FILTERS

Y PATTERN STRAINER (FCY)



1. Y PATTERN STRAINER (FCY)



Stainless steel filter
cartridge Ø4mm
pitch

IMAGE 1

MODEL	Ø1/Ø0	Filtration Surface (cm ²)	Net Weight (kg)	Dimensions (mm)			
				ØD	L	H	W
FCY-2-R"	Male thread 2"	590	9	165	350	330	400
FCY-3"	Flange 3"	795	18	165	325	485	445
FCY-4"	Flange 4"	1020	19	165	390	585	550
FCY-5"	Flange 5"	1500	26	220	510	770	736
FCY-6"	Flange 6"	1530	36	220	590	750	715
FCY-8"	Flange 8"	2700	65	323	700	965	935
FCY-10"	Flange 10"	4800	103	406	915	1145	1120
FCY-12"	Flange 12"	6200	117	406	1025	1340	1316
FCY-14"	Flange 14"	7250	178	457	1150	1565	1515
FCY-16"	Flange 16"	10150	435	608	1500	1795	1775
FCY-20"	Flange 20"	14800	639	710	1700	2050	2050
FCY-24"	Flange 24"	18550	1035	812	2000	2480	2480
FCY-32"	Flange 32"	41800	1545	1220	2700	3685	3625

TABLE 1



IMAGE 2

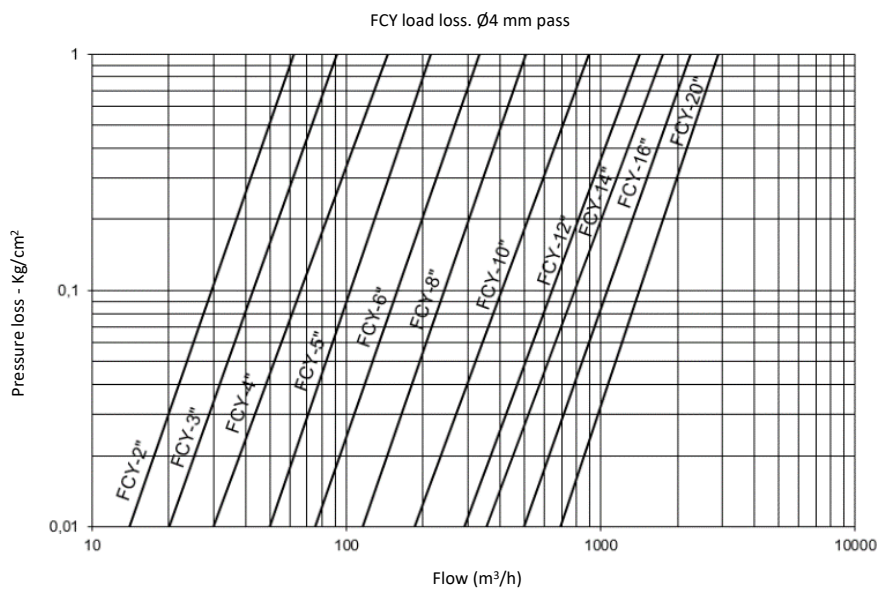


CHART 1

2. MANUFACTURING TECHNICAL CHARACTERISTICS

- **Materials:**
 - Carbon steel metal components.
 - Zinc plated screws 6.8.
 - Grinding cartridge : Stainless Steel AISI-304. $\varnothing 4$ mm pass
 - EPDM gaskets: 60 SHORE.
- **Superficial treatment:**
 - Surface shot blasting up to SA $\frac{1}{2}$ grade.
 - Two-layer EPOXY-POLYESTER powder paint finish, oven-polymerized RAL 6004.
- **Working characteristics:**
 - Maximum operating temperature 50°C.



INTRAMESA MZ S.A.



**Polígono Armentera P-99
22400 Monzón (Huesca)**

www.itmfilters.com

info@itmfilters.com

Tel. 974 10 50 05